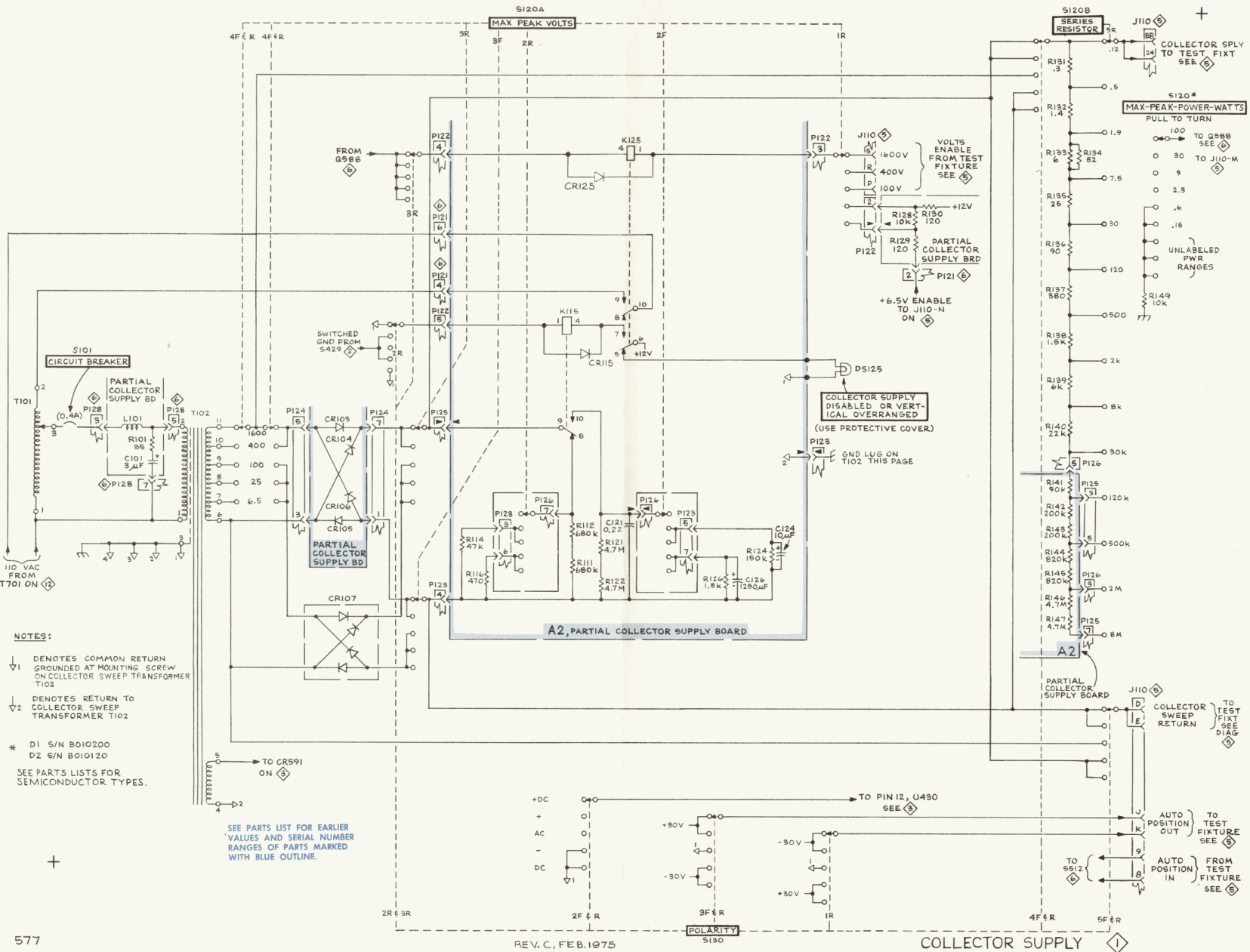


SN B030249 and up for 577-D1
SN B030178 and up for 577-D2

CKT NO	GRID LOC	CKT NO	GRID LOC	CKT NO	GRID LOC
C101	2D	K115	6D	R147	7B
C121	7C	K125	7D	R541	5B
C124	9E			R542	5B
C126	9D	L101	3E	R544	5B
C540	5E	L540	5B	R545	5B
C541	5B	L545	5C	R546	5B
C544	5B	L547	5D	R547	5B
C545	4C	L550	1B	R548	5C
C546	5B	L551	1D	R549	5C
C547	5E	L552	1C	R552	4A
C548	5C	L553	2C	R554	4B
C549	5C	L564	4D	R556	4A
C550	1C			R558	4A
C551	4A	Q544	4B	R560	4E
C558	5E	Q546	4B	R561	4D
C562	5D	Q552	3B	R562	5D
C564	4D	Q554	3B	R563	4D
C565	4E	Q556	4B	R564	4E
C567	4D	Q558	4B	R581	3C
C581	2B	Q586	4E	R583	3B
C587	4E	Q588	5E	R584	4E
C588	4E			R585	4E
		R101	2E	R586	4E
CR103	9A	R111	8C	R587	4E
CR104	9B	R112	6C	R588	4E
CR105	9B	R114	9C		
CR106	9A	R116	9C	T550	5C
CR551	3B	R121	6D	T560	4C
CR552	3C	R122	7D		
CR553	3C	R124	8C	U542	5A
CR554	4B	R126	9C		
CR555	4B	R128	7E	VR581	3C
CR556	4C	R129	7E	VR582	3C
CR557	4C	R130	5E		
CR558	4C	R141	7B		
CR561	4D	R142	9B		
CR562	4D	R143	9B		
CR563	4D	R144	7B		
CR564	4D	R145	6B		
CR577	4B	R146	6B		
CR582	2B				
CR584	4E				
CR586	4E				

Fig. 7-7. A2 Collector Supply circuit board.





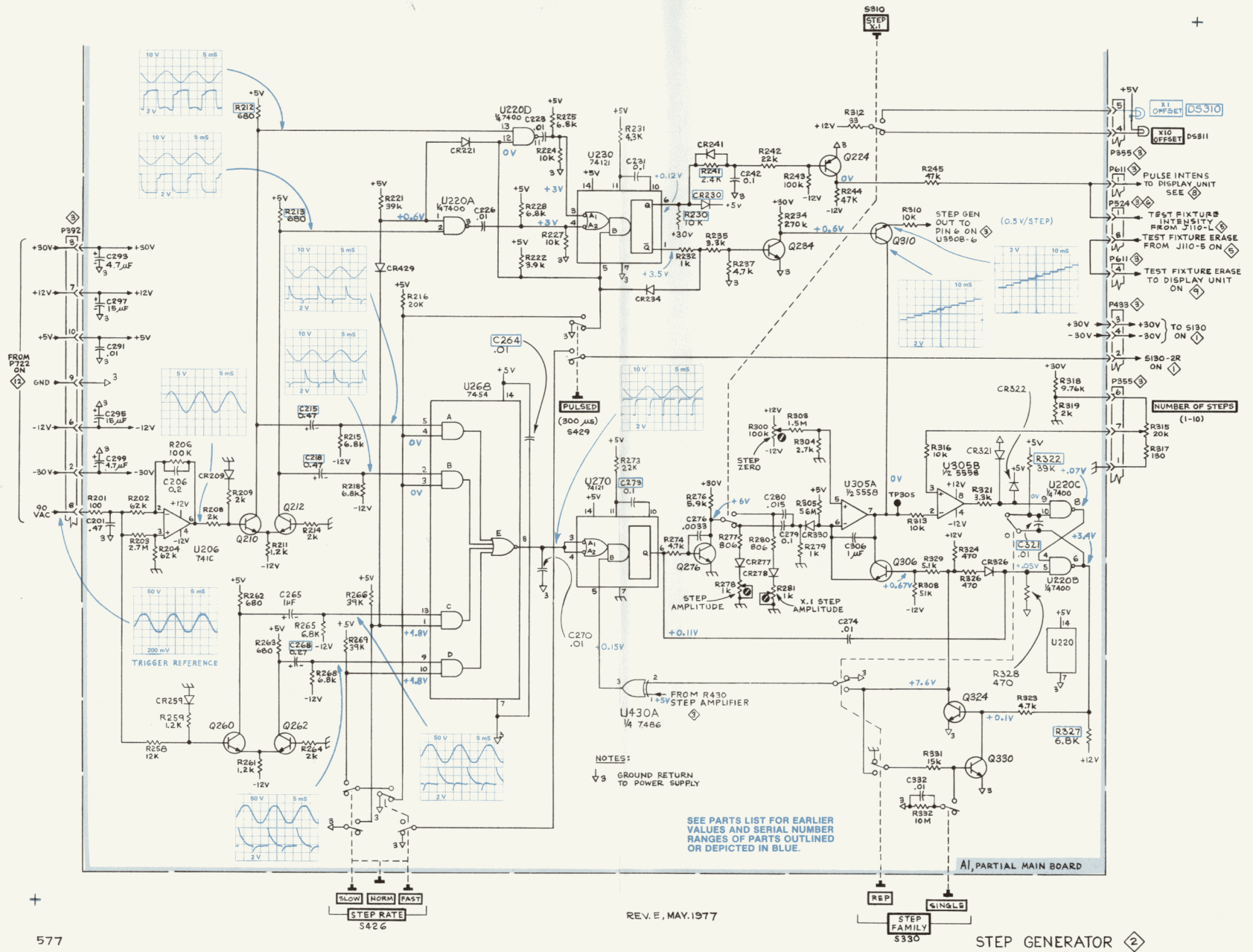
NOTES:

∇1 DENOTES COMMON RETURN GROUNDED AT MOUNTING SCREW ON COLLECTOR SWEEP TRANSFORMER T102

∇2 DENOTES RETURN TO COLLECTOR SWEEP TRANSFORMER T102

* D1 5/N B010200
D2 5/N B010120
SEE PARTS LISTS FOR SEMICONDUCTOR TYPES.

SEE PARTS LIST FOR EARLIER VALUES AND SERIAL NUMBER RANGES OF PARTS MARKED WITH BLUE OUTLINE.



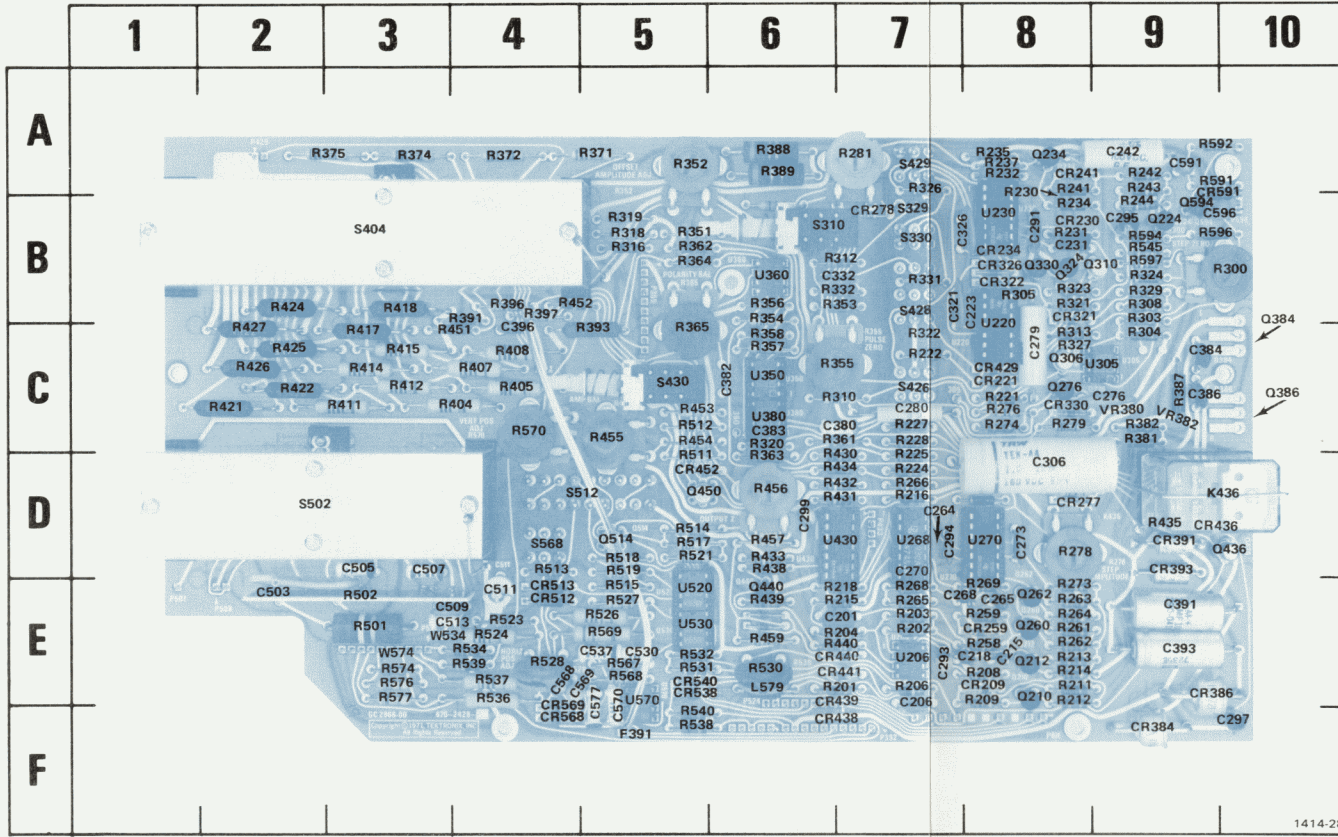


Fig. 7-11. A1 Main circuit board.

CKT NO	GRID LOC	CKT NO	GRID LOC	CKT NO	GRID LOC	CKT NO	GRID LOC	CKT NO	GRID LOC
C201	7E	CR436	7E	R227	7C	R362	5B	R515	5E
C206	7E	CR438	6E	R228	7C	R363	6D	R517	5D
C215	8E	CR439	6E	R230*	8B	R364	5B	R518	5D
C218	8E	CR440	6E	R231	8B	R365	5C	R519	5D
C231	8B	CR441	7E	R232	8A	R371	5A	R521	5D
C242	9A	CR452	5D	R234	8B	R372	4A	R523	4E
C264*	7D	CR512	4E	R235	8A	R374	3A	R524	4E
C265	8E	CR513	4E	R237	8A	R375	3A	R526	5E
C268	7E	CR538	5E	R241	8A	R380	6C	R527	5E
C270*	7D	CR540	5E	R242	9A	R381	9C	R528	4E
C273	8D	CR568	4F	R243	9A	R382*	9C	R530	6E
C276	9C	CR569	4E	R244	9B	R387	9C	R531	5E
C279	8C	CR591	10B	R258	8E	R388	6A	R532	5E
C291	8B			R259	8E	R389	6A	R534	4E
C293	7E	F391*	F5	R261	8E	R391	4B	R536	4E
C294	7D			R262	8E	R393	5C	R537	4E
C295	9B	K436	10D	R263	8E	R396	4B	R538	5F
C297	10F			R264	8E	R397	4B	R539	4E
C299	8D	L579	6E	R265	7E	R404	4C	R540	5F
C306	8D			R266	7D	R405	4C	R545	9B
C321*	7B	Q210	8E	R268	7E	R407	4C	R567	5E
C332	7B	Q212	8E	R269	8E	R408	4C	R568	5E
C380	7C	Q224	9B	R273	8E	R411	3C	R569	5E
C382*	5C	Q234	8A	R274	8C	R412	3C	R570	4C
C383*	6D	Q260	8E	R276	8C	R414	3C	R574 ²	3E
C384	9C	Q262	8E	R278	8D	R415	3C	R576	3E
C386	9C	Q276	8C	R279	8C	R417	3C	R577	3E
C391	9E	Q306	8C	R281	7A	R418	3B	R591	9A
C393	9E	Q310	9B	R300	10B	R421	2C	R592	9A
C396	4C	Q324	8B	R303	9B	R422	2C	R594	9B
C503	2E	Q330	8B	R304	9C	R424	2B	R596	9B
C505	3D	Q384	10C	R305†	8B	R425	2C	R597	9B
C507	3D	Q386	10C	R308	9B	R426	2C		
C509	4E	Q436	10D	R310	7C	R427	2C	S310	6B
C511	4E	Q440	6D	R312	7B	R430	7D	S329†	7B
C513	3E	Q450	5D	R313	8C	R431	7D	S330†	7B
C530	5E	Q514	5D	R316	5B	R432	7D	S404	3B
C537	5E	Q594	9B	R318	5B	R433	6D	S426†	7C
C568	4E			R319	5B	R434	7D	S428†	7C
C569	4E	R201	7E	R320	6C	R435	9D	S429†	7A
C570	5F	R202	7E	R321	8B	R438	6D	S430	5C
C577	5F	R203	7E	R322†	7C	R439	6E	S502	2D
C591	9A	R204	7E	R323	8B	R440	7E	S512†	5D
C596	10B	R206	7E	R324	9B	R450	5C	S568†	4D
		R208	8E	R326	7A	R451	4C		
		R209	8E	R327*	8C	R452	4C	U206	7E
		CR221	8C	R211	8E	R329	9B	U220	8B
		CR230*	8B	R212	8E	R331	7B	U230	8B
		CR234	8B	R213	8E	R332	7B	U268	7D
		CR241	8A	R214	8E	R351	5A	U270	8D
		CR259	8E	R215	7E	R352	5A	U305	9C
		CR277	8D	R216	7D	R353	7B	U350	6C
		CR278	7B	R218	7E	R354	6B	U360	6B
		CR322	8B	R221	8C	R355	6C	U380	6C
		CR326	8B	R222	7C	R356	6B	U382	6B
		CR330	8C	R224	7D	R357	6C	U430	7D
		CR384	9F	R225	7D	R358	6C	U530	5E
		CR386	9E			R313	8C	U570	5E
		CR391	9D			R361	7C		
		CR393	9D					VR380*	9C
		CR429	8C					VR382*	9C
								W534*	4E
								W574*	3E

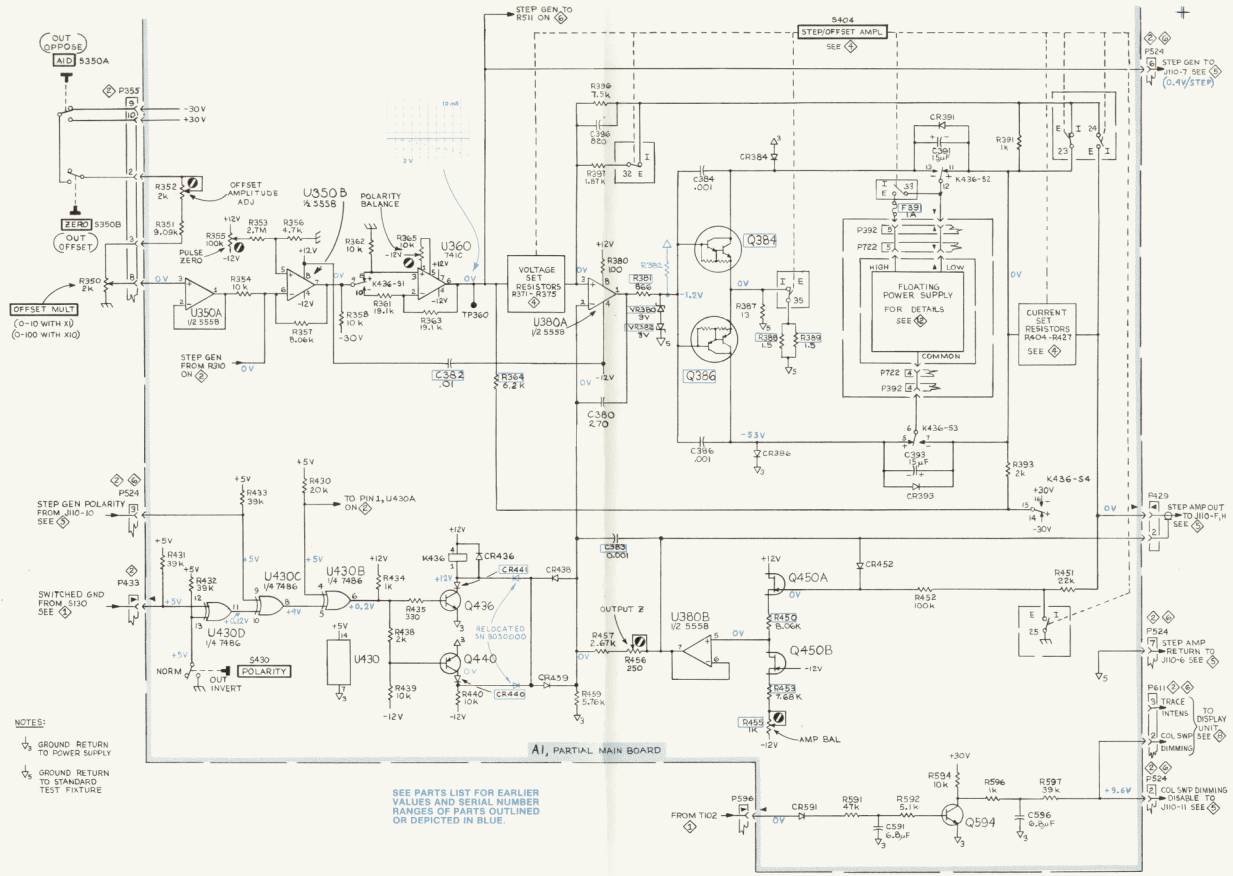
*See Part List for serial number ranges.

¹ Relocated to horizontal position switch.

² Relocated to vertical position switch.

[†] Located on back of board.

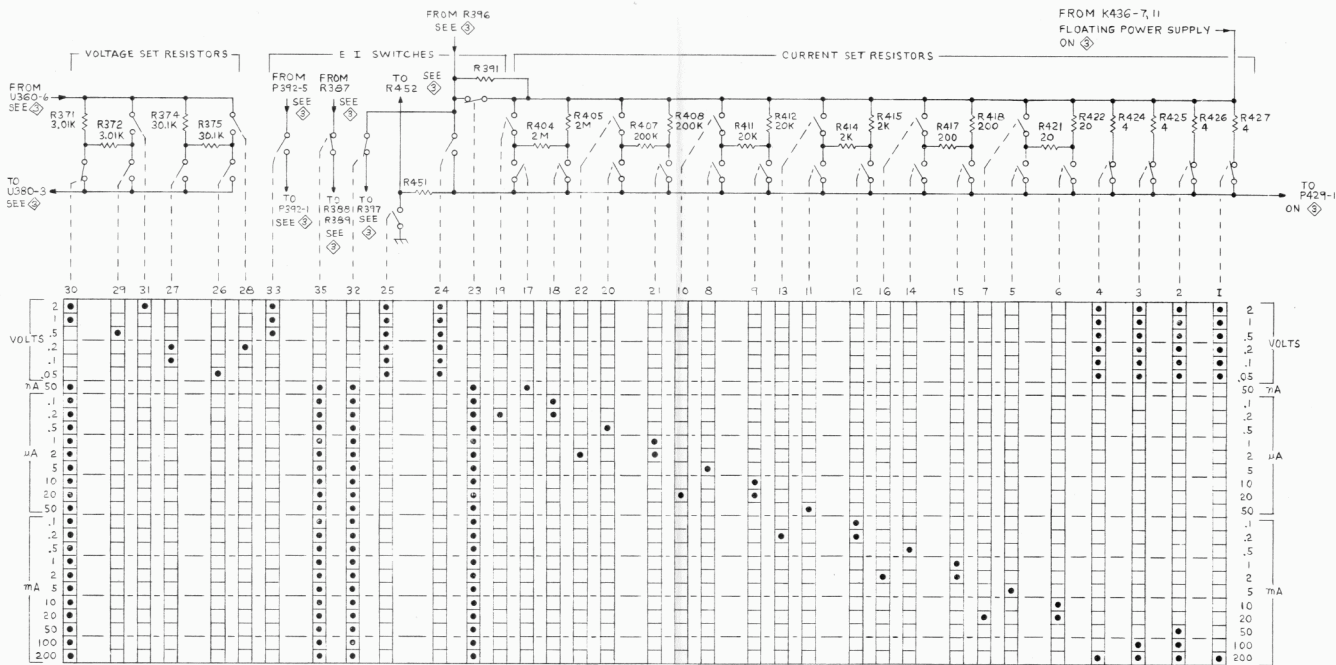
GRID LOCATOR →



NOTES:
 1 GROUND RETURN TO POWER SUPPLY
 2 GROUND RETURN TO STANDARD TEST FIXTURE

SEE PARTS LIST FOR EARLIER VALUES AND SERIAL NUMBER RANGES OF PARTS OUTLINED OR DEPICTED IN BLUE.

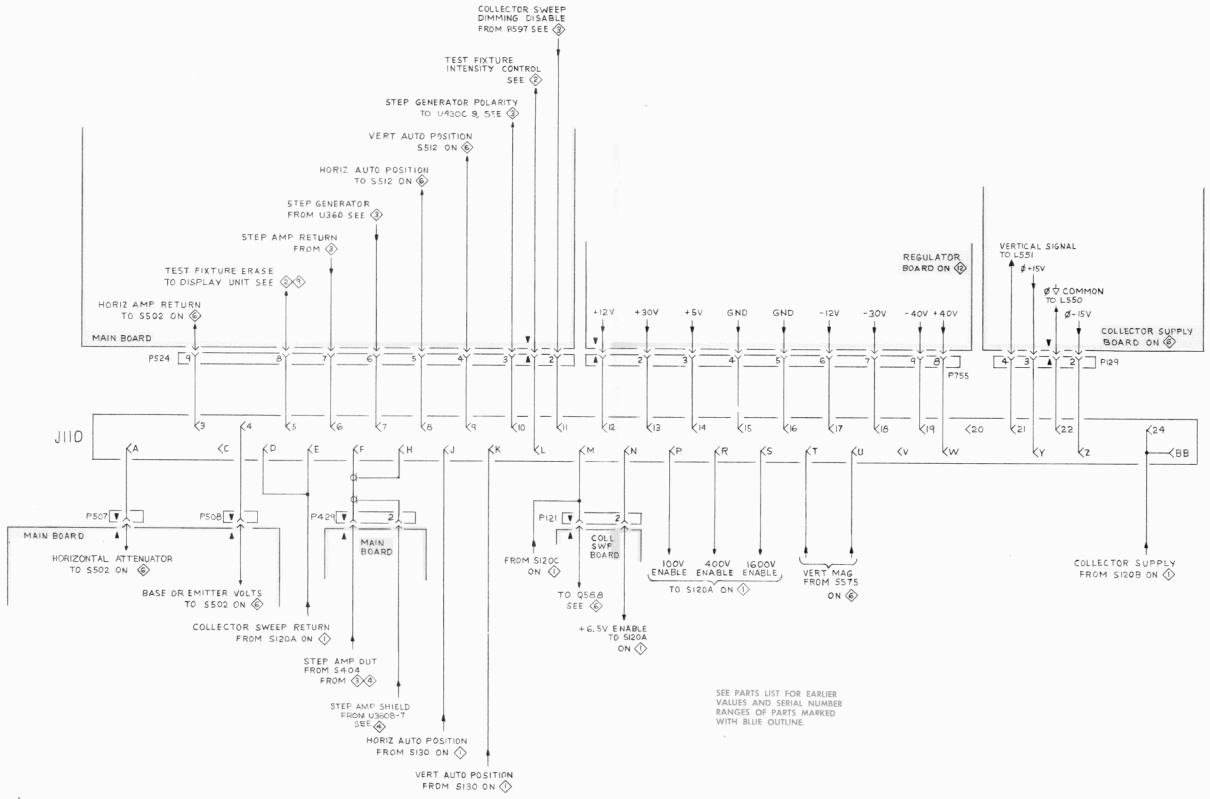
A1, PARTIAL MAIN BOARD



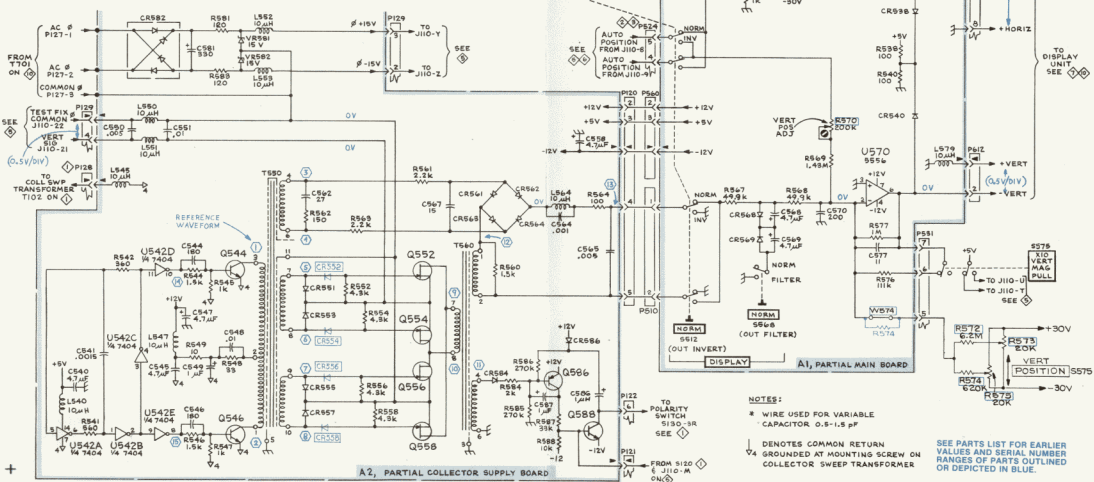
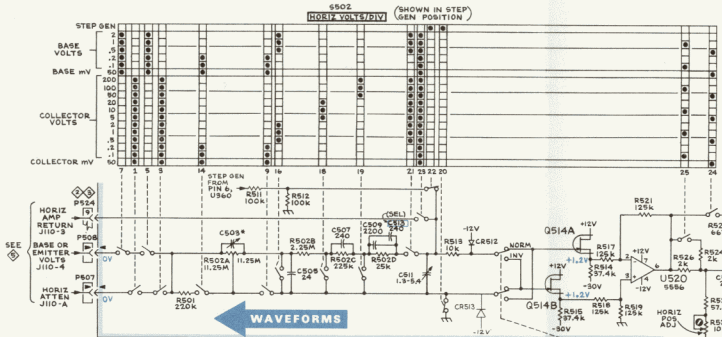
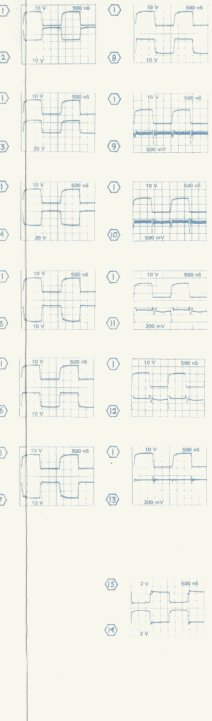
STEP/OFFSET AMP. SHOWN IN 200mA POSITION
S404

SEE PARTS LIST FOR EARLIER
VALUES AND SERIAL NUMBER
RANGES OF PARTS MARKED
WITH BLUE OUTLINE.

+

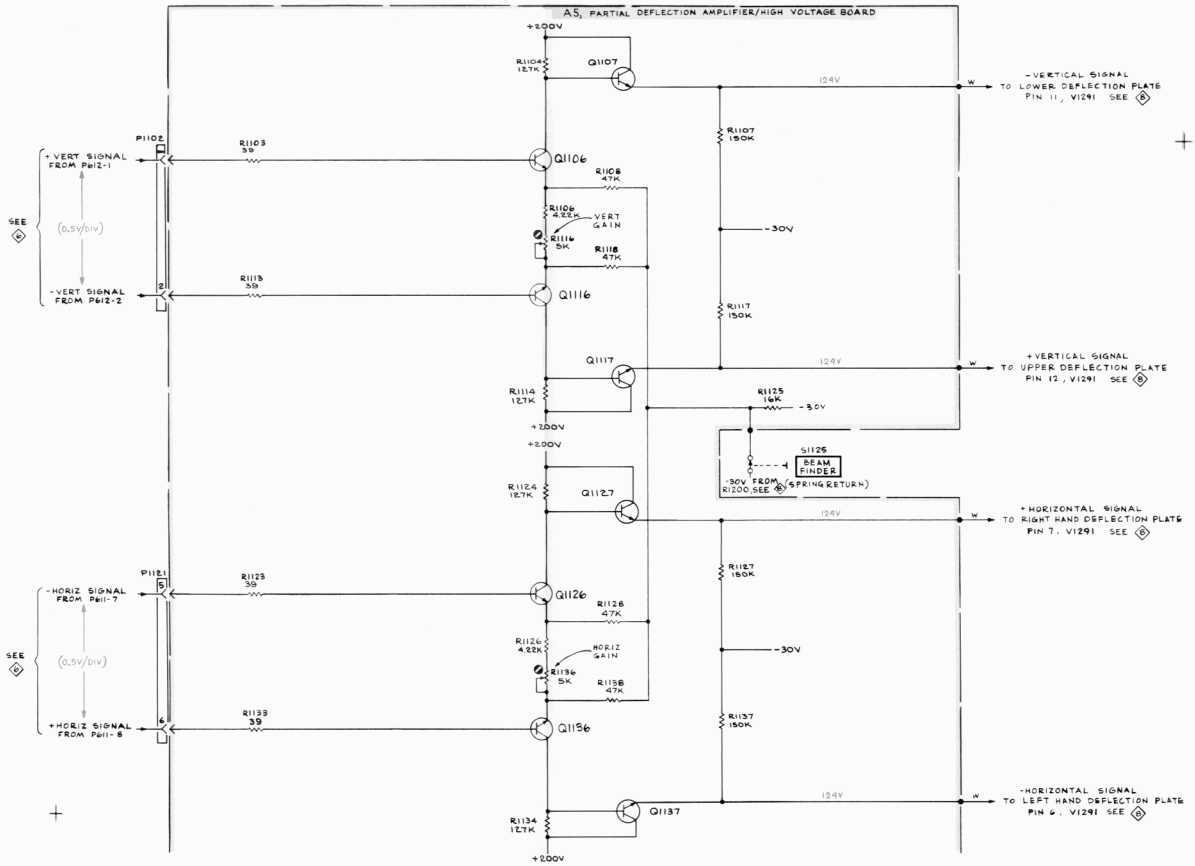


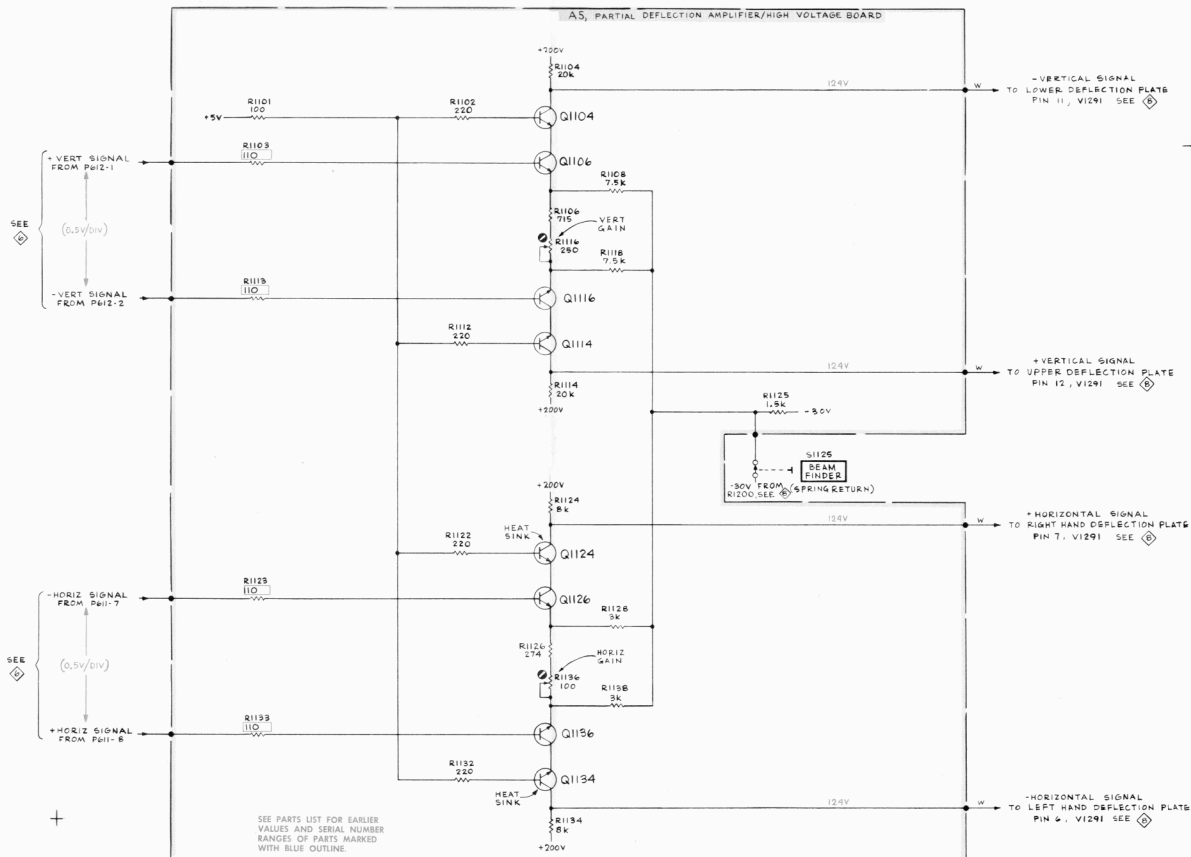
THE TOP WAVEFORM IN EACH OF THE ILLUSTRATIONS IS THE REFERENCE WAVEFORM, AND IS INCLUDED TO SHOW THE AMPLITUDE AND PHASE RELATIONSHIP OF THE REFERENCE POINT TO EACH OF THE OTHER POINTS MEASURED.

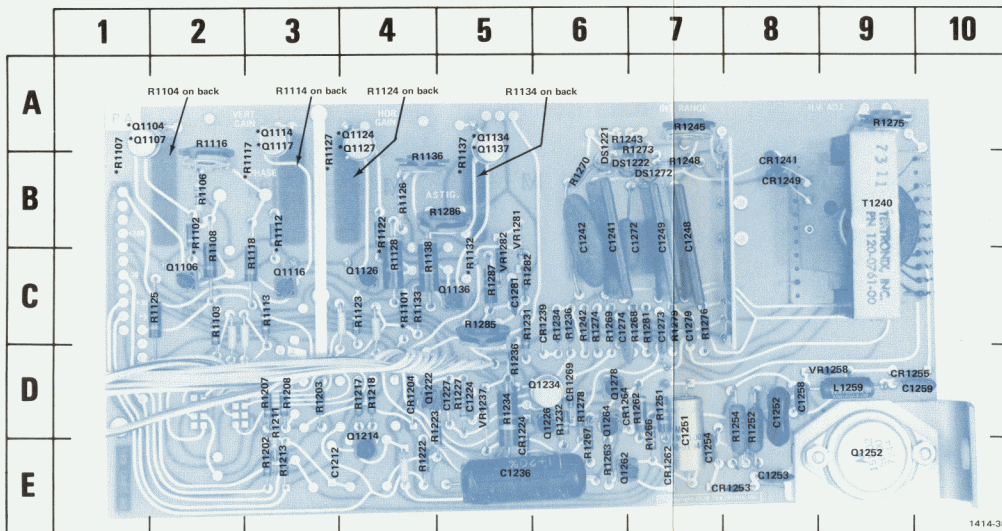


NOTES:
 * WIRE USED FOR VARIABLE CAPACITOR, 0.5-1.5 PF
 † DENOTES COMMON RETURN OR GROUNDED AT MOUNTING SCREW ON COLLECTOR SWEEP TRANSFORMER

SEE PARTS LIST FOR EARLIER VALUES AND SERIAL NUMBER RANGES OF PARTS OUTLINED OR DEFINED IN BLUE.



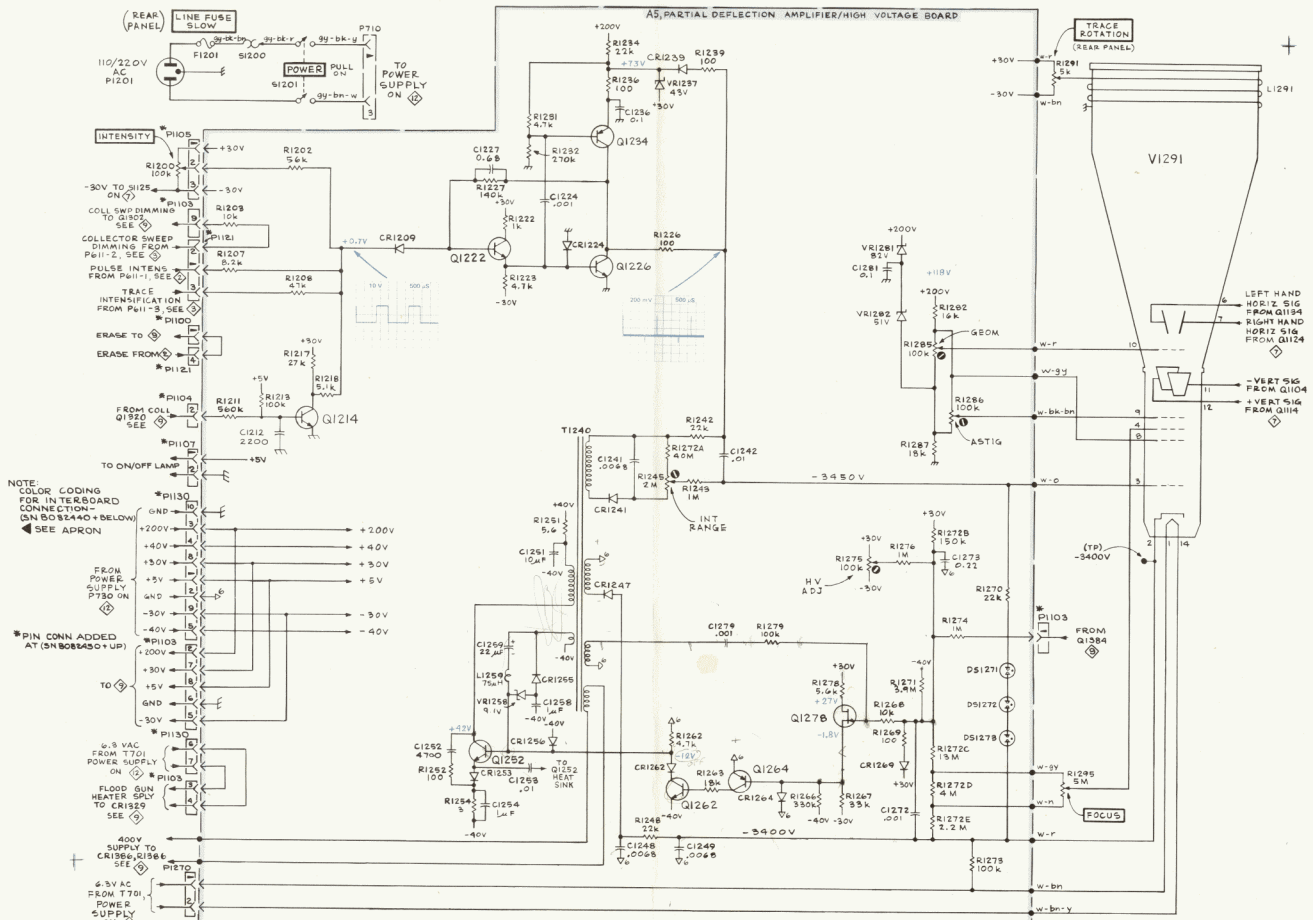




* See Parts List for serial number ranges.

Fig. 7-17. A5 Deflection Amplifier/High Voltage circuit board.

CKT NO	GRID LOC	CKT NO	GRID LOC	CKT NO	GRID LOC
C1212	3E	R1108	2B	T1240	9B
C1224	5D	R1112	3B		
C1227	5D	R1112	3B	VR1237	5D
C1236	5E	R1113	3C	VR1258	9D
C1241	6B	R1114	3B	VR1282	5B
C1242	6B	R1116	2A		
C1248	7B	R1117	2A		
C1249	7B	R1118	3C		
C1251	7D	R1122	4B		
C1252	8D	R1123	4C		
C1253	8E	R1124	3B		
C1254	7E	R1125	1C		
C1258	8D	R1126	4B		
C1259	9D	R1127	3A		
C1272	7C	R1128	4C		
C1273	7C	R1132	5C		
C1274	6C	R1133	4C		
C1279	7C	R1134	4A		
C1281	5C	R1136	4A		
CR1204	4D	R1137	4C		
CR1229	6D	R1138	4C		
CR1239	6D	R1202	3E		
CR1241	8B	R1203	3D		
CR1248	8B	R1207	3D		
CR1253	8E	R1208	3D		
CR1255	9D	R1211	3D		
CR1262	7E	R1213	3E		
CR1264	6D	R1217	4D		
CR1269	6D	R1218	4D		
CR1272	5D	R1222	4E		
CR1273	7B	R1223	4D		
CR1274	7B	R1227	5D		
CR1275	7B	R1231	5C		
CR1276	7B	R1232	6D		
CR1277	7B	R1234	6C		
CR1278	7B	R1236	5D		
CR1279	7C	R1239	6C		
CR1280	7C	R1242	6C		
CR1281	7C	R1243	6A		
CR1282	7C	R1245	7A		
CR1283	7C	R1248	7B		
CR1284	7C	R1251	7D		
CR1285	7C	R1252	8D		
CR1286	7C	R1254	8D		
CR1287	7C	R1262	7D		
CR1288	7C	R1263	6E		
CR1289	7C	R1266	7D		
CR1290	7C	R1267	6E		
CR1291	7C	R1268	7C		
CR1292	4D	R1269	6C		
CR1293	4D	R1270	6B		
CR1294	4D	R1273	7B		
CR1295	4D	R1274	6C		
CR1296	4D	R1275	9A		
CR1297	4D	R1276	7C		
CR1298	4D	R1278	6D		
CR1299	4D	R1279	7C		
CR1300	4D	R1281	7C		
CR1301	4D	R1282	5C		
CR1302	4D	R1285	5C		
CR1303	4D	R1286	5B		
CR1304	4D	R1288	5B		
CR1305	4D	R1287	5C		



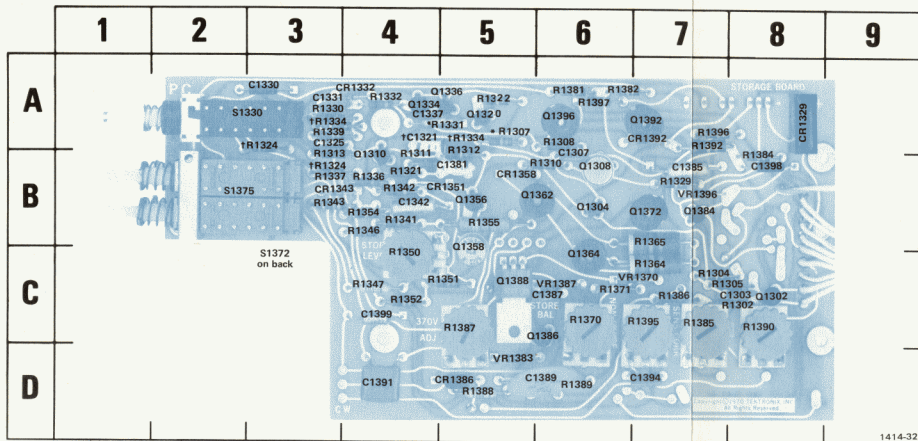


Fig. 7-19. A4 Storage circuit board.

*See Parts List for serial number ranges.

*See Parts List for serial number ranges.

†Relocated at SN B050000

CKT NO	GRID LOC	CKT NO	GRID LOC	CKT NO	GRID LOC	CKT NO	GRID LOC	CKT NO	GRID LOC	CKT NO	GRID LOC	CKT NO	GRID LOC
C1303	8C	CR1329	8A	Q1362	6B	R1312	5A	R1351	5C	R1390	8C		
C1307	6B	CR1332	4A	Q1364	6C	R1313	3B	R1354	4B	R1392	7A		
C1321	4A	CR1343	3B	Q1372	7B	R1321	4B	R1355	5B	R1395	7C		
C1326	3A	CR1351	4B	Q1384	7B	R1322	5A	R1359	4C	R1396	7A		
C1330	3A	CR1358	5B	Q1386	6C	R1324	3A	R1364	7C	R1397	6A		
C1331	3A	CR1386	5D	Q1388	5C	R1329	7B	R1365	7B				
C1337	4A	CR1392	7A	Q1392	7A	R1330	3A	R1370	6C	S1330	3A		
C1342	4B			Q1396	6A	R1332	5A	R1371	6C	S1372	3C		
C1381	5B	Q1202	8C			R1334	3A	R1381	6A	S1375	2B		
C1355	7B	Q1304	6B			R1336	4B	R1382	6A				
C1387	6C	Q1308	6B	R1302	8C	R1337	3B	R1384	8B	VR1370	7C		
C1389	6D	Q1310	4A	R1305	8C	R1339	3A	R1385	7C	VR1387	6C		
C1391	4D	Q1320	5A	R1307	5A	R1341	4B	R1386	7C	VR1388	5D		
C1394	7D	Q1334	4A	R1308	6B	R1342	3B	R1387	5C	VR1396	7B		
C1398	8B	Q1336	4A	R1310	6B	R1343	3B	R1388	5D				
C1399	4C	Q1356	5B	R1311	4B	R1346	4B	R1389	6D				
		Q1358	5B			R1347	4C						
						R1350	4C						

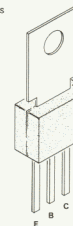
MORE



PLASTIC-CASED TRANSISTORS

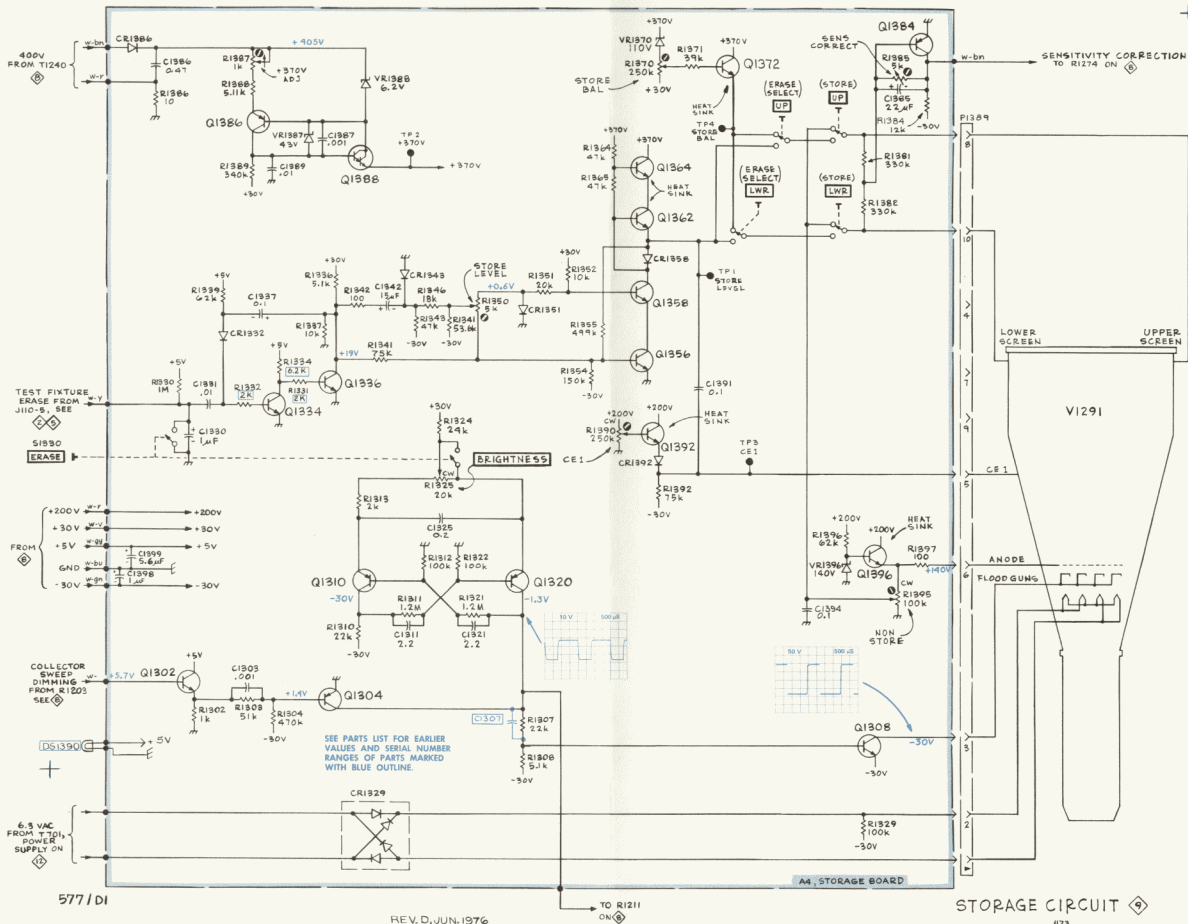


METAL-CASED TRANSISTORS



1414-33

Fig. 7-20. Semiconductor lead configuration for Storage circuit board.



STORAGE CIRCUIT

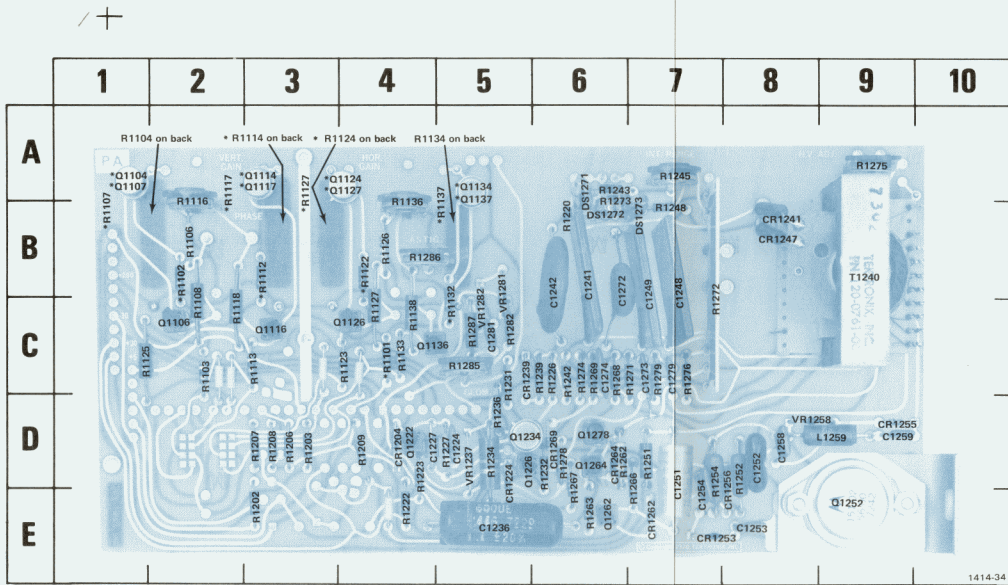
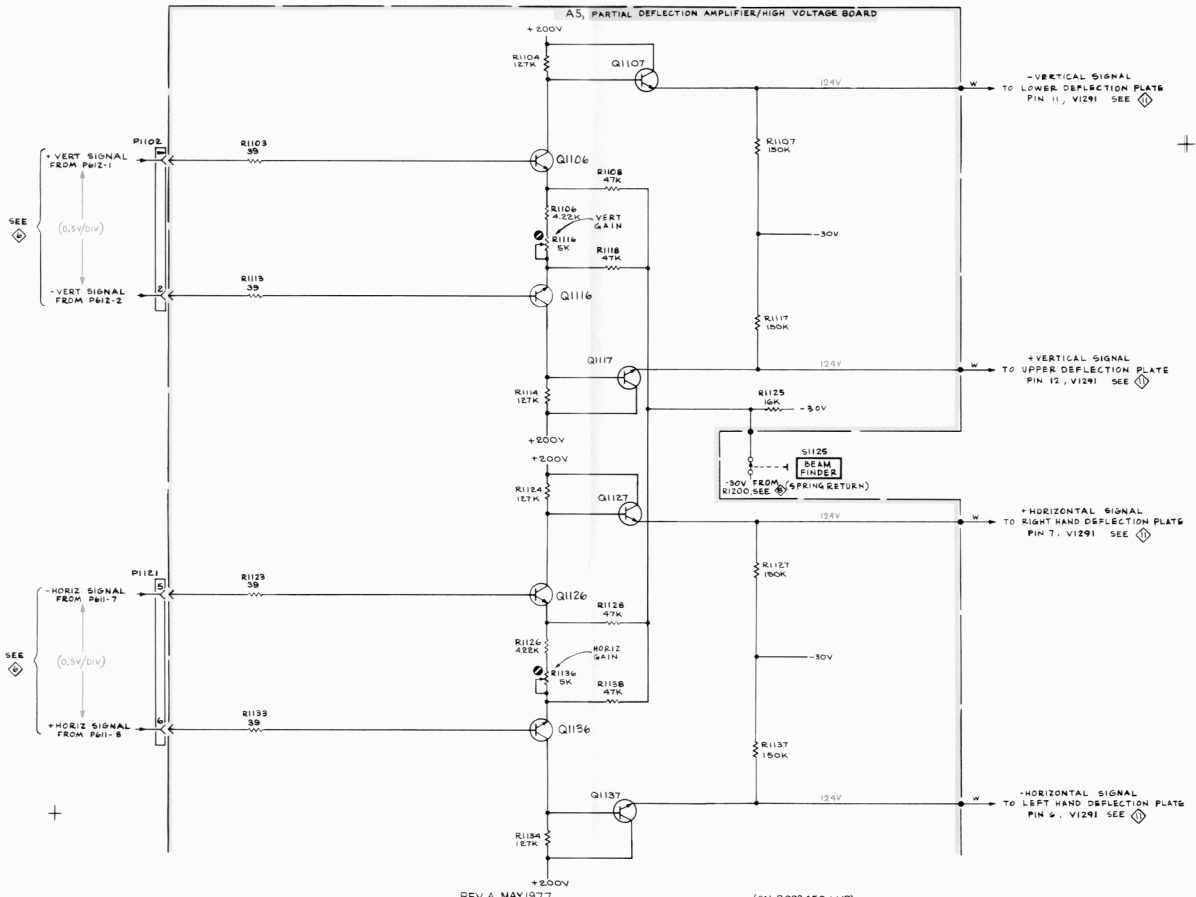
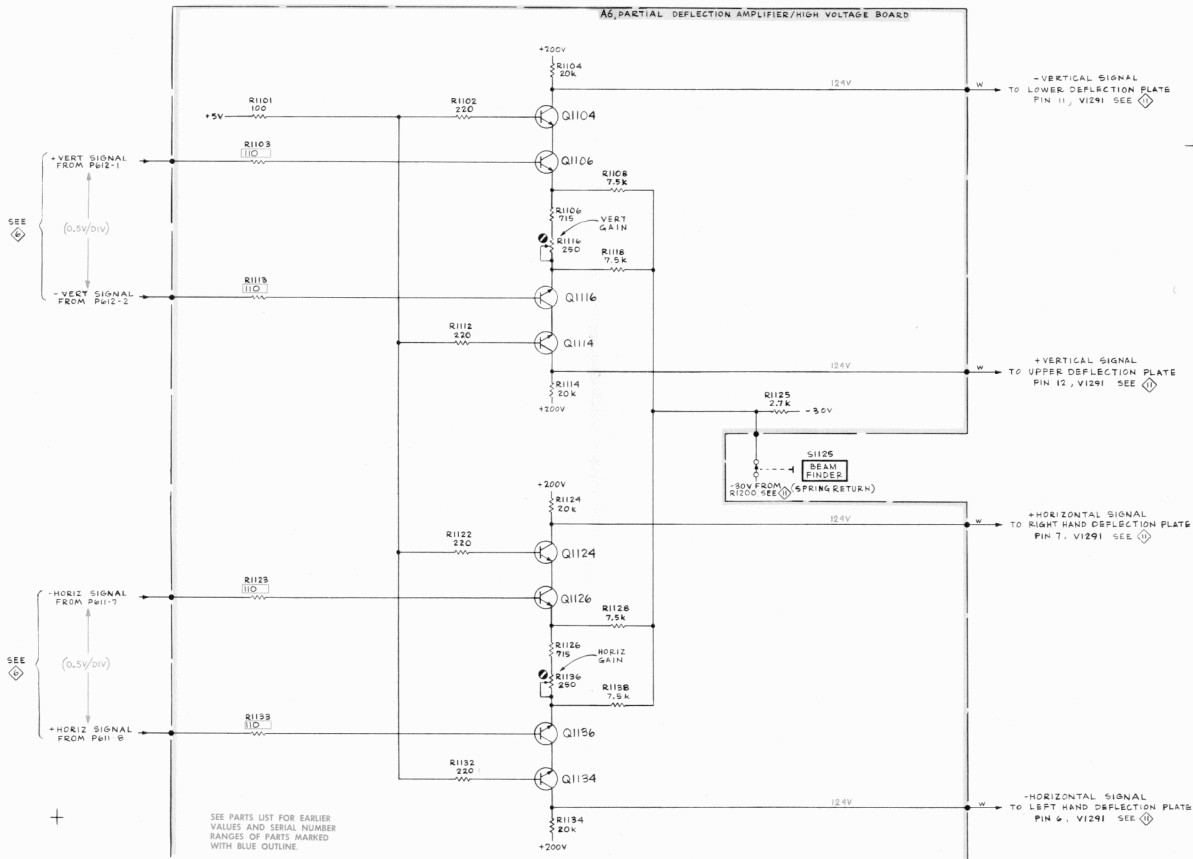


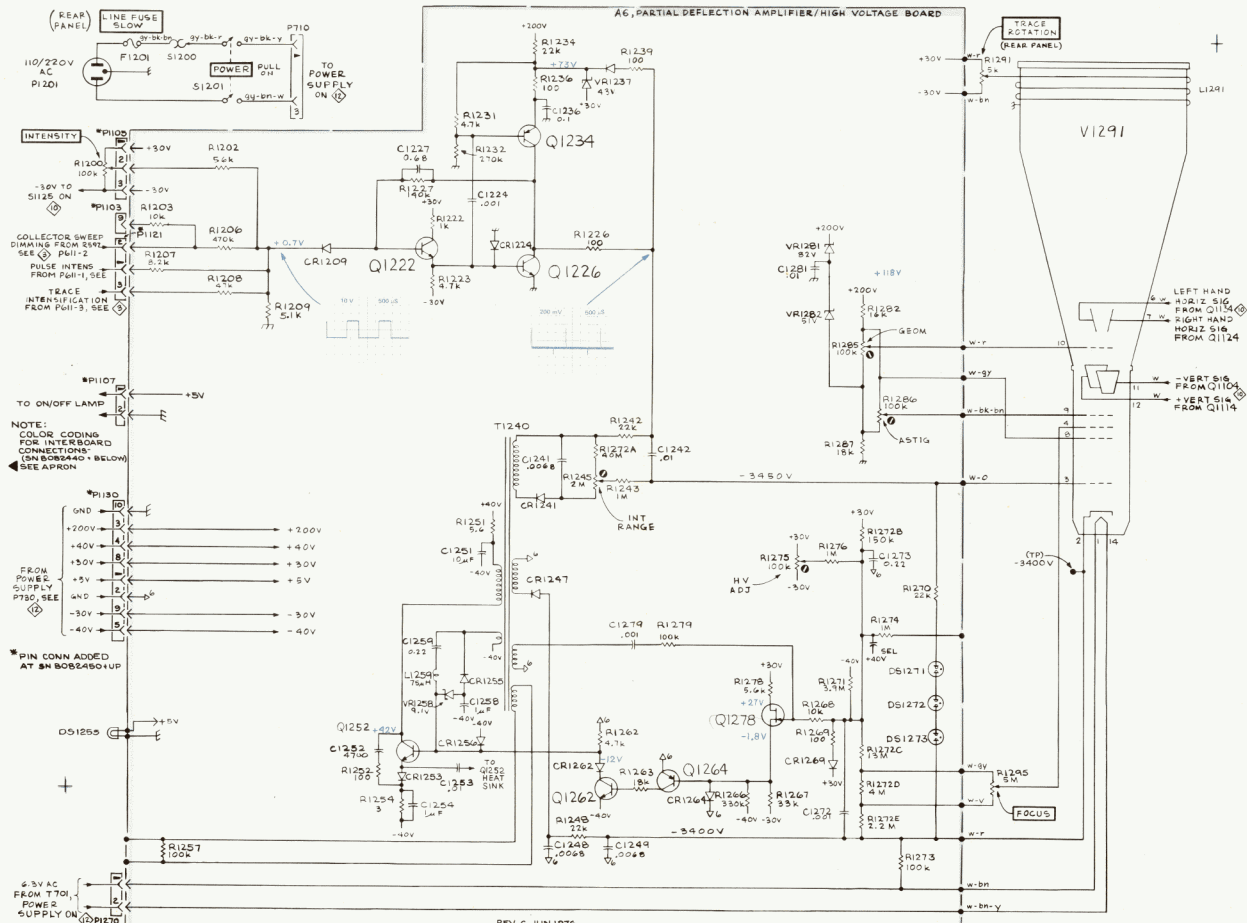
Fig. 7-21. A6 Deflection Amplifier/High Voltage circuit board.

*See Parts List for serial number ranges.

CKT NO	GRID LOC	CKT NO	GRID LOC	CKT NO	GRID LOC	CKT NO	GRID LOC	CKT NO	GRID LOC	CKT NO	GRID LOC	CKT NO	GRID LOC	CKT NO	GRID LOC
C1224	5D	C1279	7C	L1259	9D	Q1264	6D	R1125	1C	R1226	6C	R1269	6C	VR1281	5B
C1227	4D	C1281	5C	Q1104	1A	Q1278	6D	R1126	4B	R1227	5D	R1271	7C	VR1282	5C
C1236	5E			Q1106	2C			R1127	3A	R1231	5C	R1272	7C		
C1241	6B	CR1204	4D	Q1107	1A	R1101	4C	R1128	4C	R1232	6D	R1273	6A		
C1242	6B	CR1224	5D	Q1114	3A	R1102	2B	R1132	5C	R1234	5D	R1274	6A		
C1248	7B	CR1239	5C	Q1116	3C	R1103	2C	R1133	4A	R1236	5C	R1275	9A		
C1249	7B	CR1241	8B	Q1117	3B	R1104	1A	R1134	4A	R1239	6C	R1276	7C		
C1251	7D	CR1247	8B	Q1118	3B	R1106	2B	R1136	4A	R1242	6C	R1278	6D		
C1252	8D	CR1255	9D	Q1119	3B	R1108	2C	R1137	4C	R1243	6A	R1279	7C		
C1253	8E	CR1256	8E	Q1120	3B	R1112	3B	R1138	4C	R1245	7A	R1282	5C		
C1254	7E	CR1256	8D	Q1121	3A	R1113	3C	R1202	3E	R1251	7D	R1285	5C		
C1258	8D	CR1262	7E	Q1124	3A	R1114	3A	R1203	3D	R1252	7D	R1286	4B		
C1259	9D	CR1264	6D	Q1127	5B	R1116	2A	R1206	3D	R1254	7D	R1287	5C		
C1272	6B	CR1269	6D	Q1128	4D	R1117	2A	R1207	3D	R1262	6D				
C1273	7C			Q1137	5B	R1118	2C	R1208	3D	R1263	6E	T1240	9B		
C1274	6C	DS1271	6A	Q1138	4C	R1122	4B	R1209	4D	R1266	7D				
		DS1272	6B	Q1139	4C	R1123	4B	R1210	4D	R1267	6D	VR1237	5D		
		DS1273	7B	Q1139	4C	R1124	3B	R1212	4E	R1268	6C	VR1258	9D		
				Q1262	6E			R1223	4D						







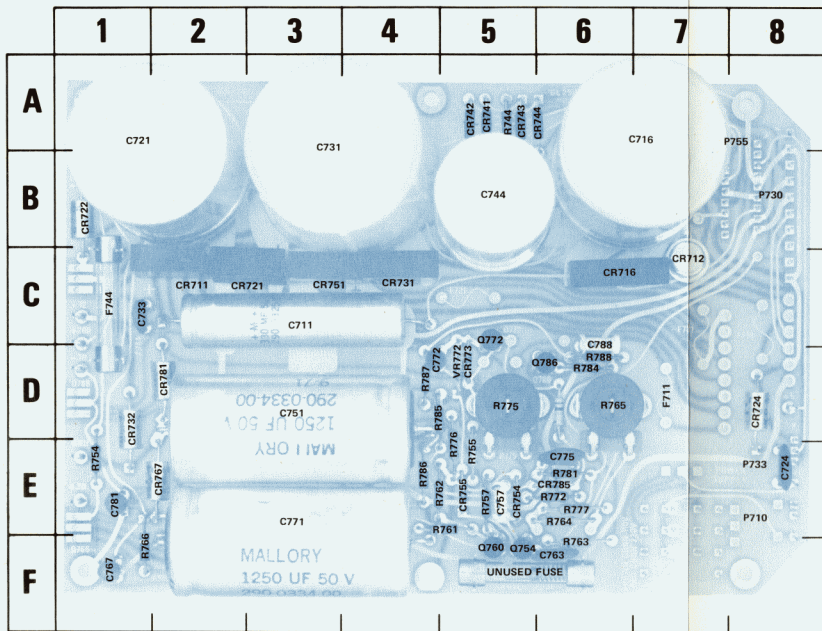
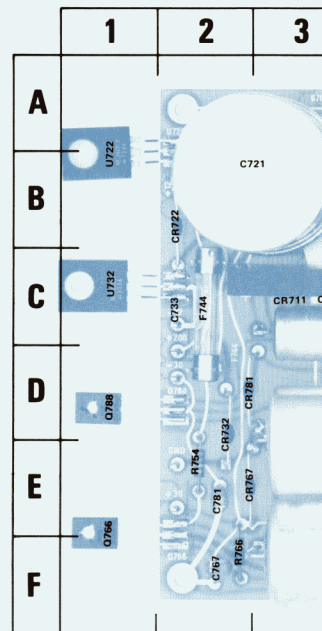


Fig. 7-25A. A3 Regulator circuit board SN B050000-up.

CKT NO	GRID/CKT LOC	CKT NO	GRID/CKT LOC	CKT NO	GRID/CKT LOC	CKT NO	GRID/CKT LOC	CKT NO	GRID/CKT LOC	CKT NO	GRID/CKT LOC	CKT NO	GRID/CKT LOC
C711	3C	C771	3E	CR722	1B	CR755	5E	R754	1E	R775	5D	Q754	5F
C716	7A	C772	4D	CR724	8D	CR767	2E	R755	5E	R776	5E	Q760	5F
C721	1A	C775	6E	CR731	4C	CR773	5D	R757	5E	R777	6E	Q772	5C
C724	8E	C781	1E	CR732	1D	CR781	2D	R761	5E	R781	6E	Q786	6D
C731	3A	C788	6C	CR741	5A	CR785	6E	R762	5E	R784	6D		
C733	1C			CR742	5A			R763	6F	R785	4D	VR772	5D
C744	5B			CR743	5A	F711	7D	R764	6E	R786	4E		
C757	5E	CR711	2C	CR744	6A	F744	1C	R765	6D	R787	4D		
C763	6F	CR712	7C	CR745	3C			R766	1F	R788	6C		
C767	1F	CR716	6C	CR751	6C	R744	5A	R772	6E				
		CR721	3C	CR754	5E								



CKT NO	GRID/CKT LOC	CKT NO	GRID/CKT LOC
C711	4C	C716	8B
C721	2B	C731	4B
C733	2C	C744	6B
C751	4E	C757	6E
C763	7E	C767	2F
C771	4F		

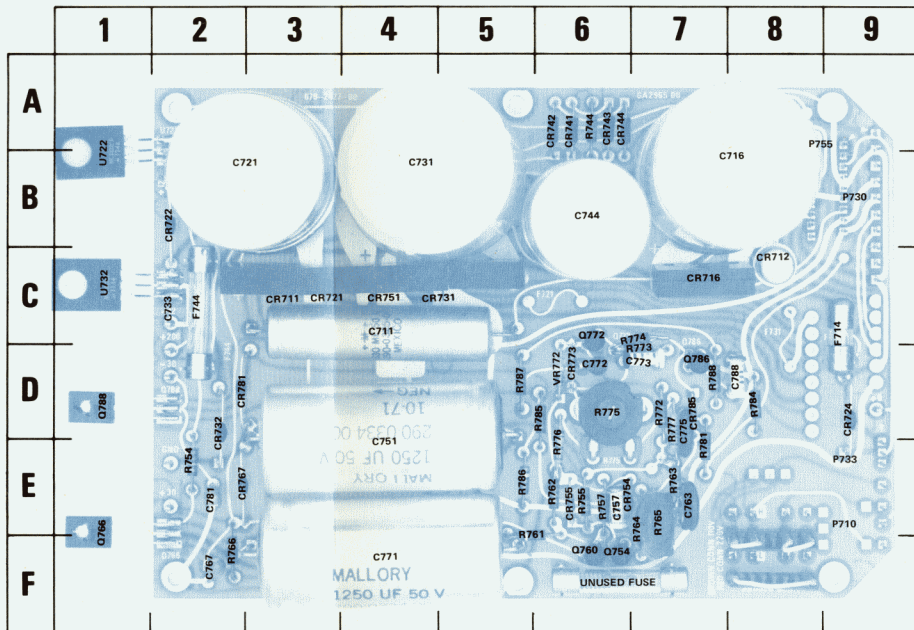
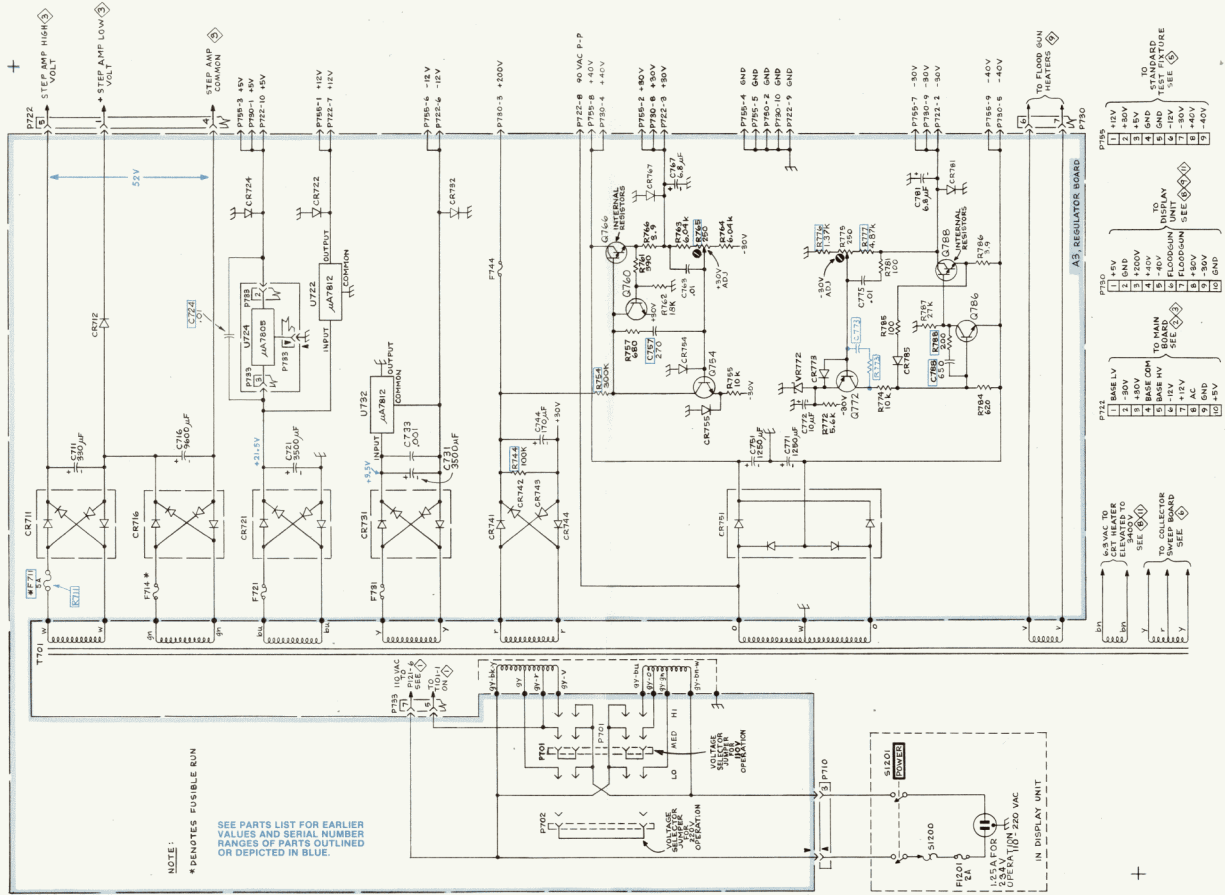
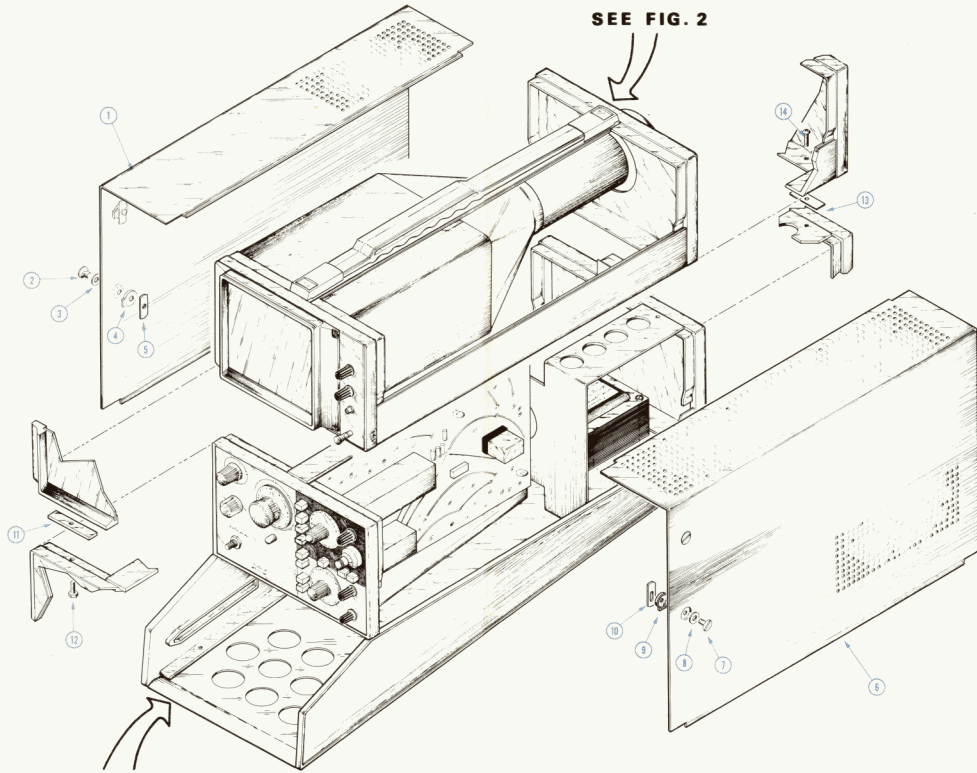


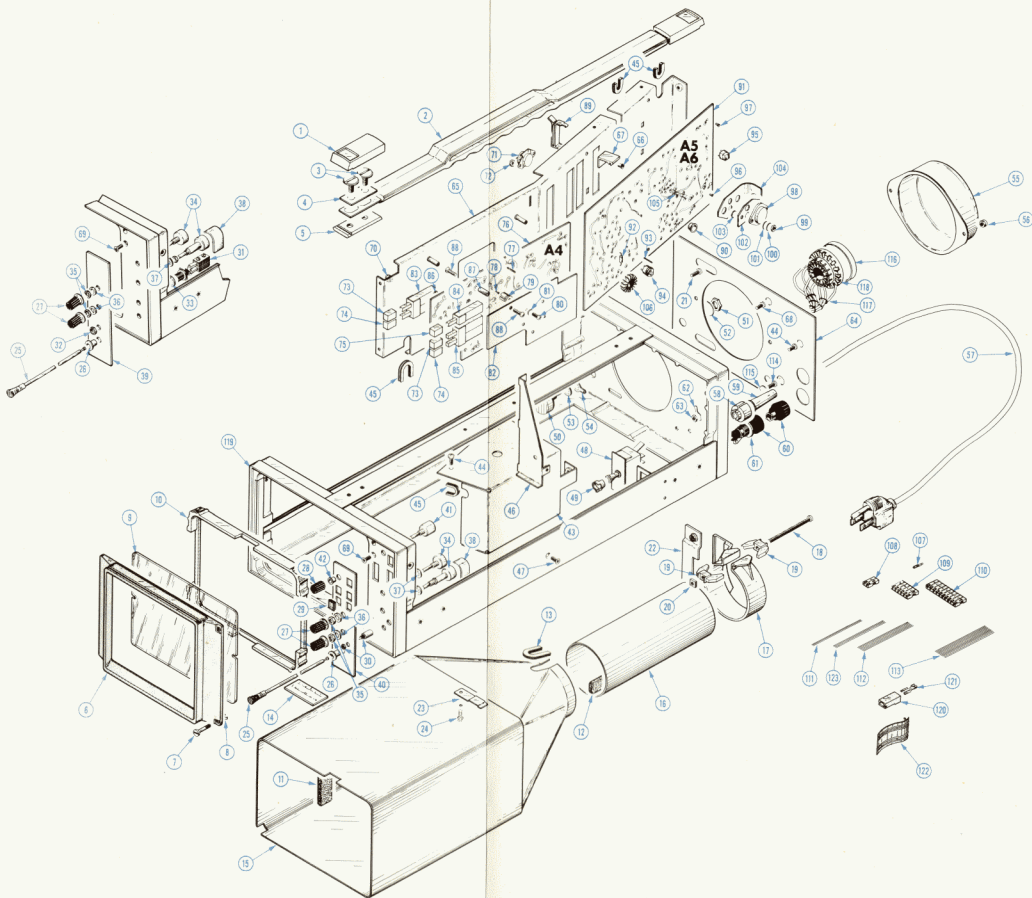
Fig. 7-25B. A3 Regulator circuit board below SN B050000.

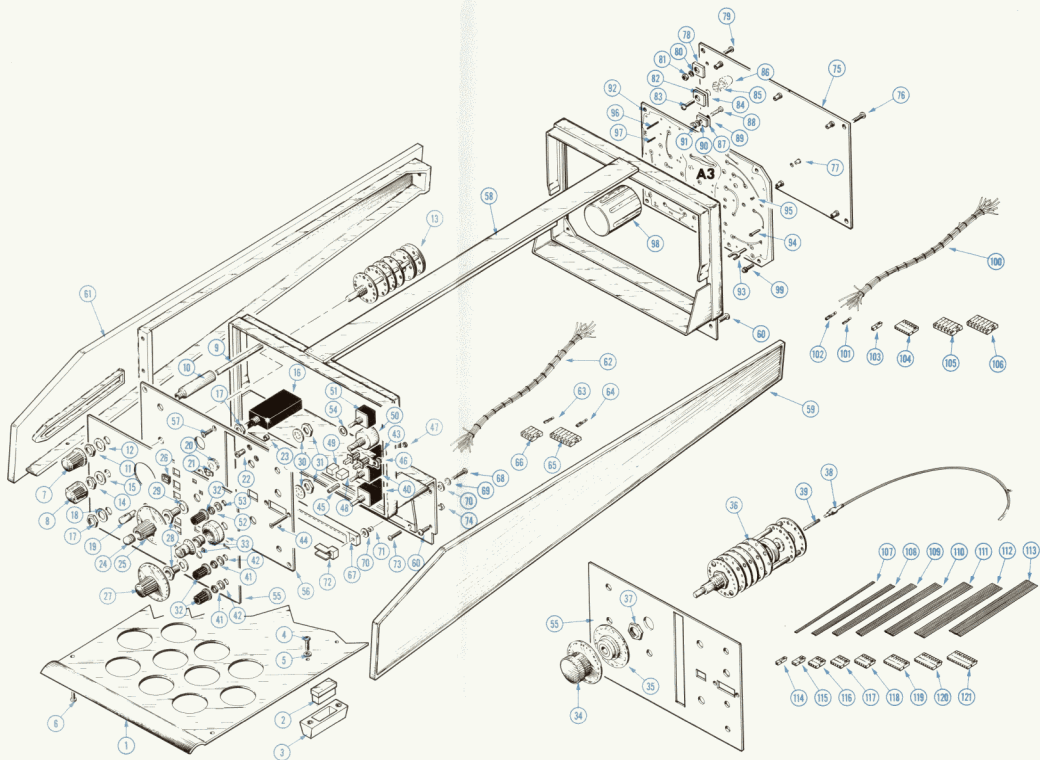
CKT NO	GRID LOC	CKT NO	GRID LOC	CKT NO	GRID LOC	CKT NO	GRID LOC	CKT NO	GRID LOC	CKT NO	GRID LOC	CKT NO	GRID LOC	CKT NO	GRID LOC																																																																																																																																										
C711	4C	C772	6D	CR724	9D	CR773	6D	Q786	7D	R765	7E	R786	5E	C716	8B	C773	6D	CR731	5C	CR781	2D	Q788	1D	R766	2F	R787	5D	C721	2B	C775	7D	CR732	2D	CR785	7D	R744	6A	R772	7D	R788	7D	C731	4B	C781	2E	CR741	6A	F714	9C	R754	6E	R773	7D	U722	1A	C733	2C	C788	8D	CR742	6A	F744	2C	R754	2E	R774	7C	U732	1C	C744	6B	C751	4E	CR743	6A	CR744	6A	R755	6E	R775	6E			C751	4E	CR711	3C	CR744	6A	CR751	4C	R757	6E	R776	6D			C757	6E	CR712	8C	CR745	6A	Q754	6F	R761	6E	R777	7D			C763	7E	CR716	7C	CR754	6E	Q760	6F	R762	6E	R781	7E			C767	2F	CR721	3C	CR755	6E	Q765	1C	R763	7E	R784	7E			C771	4F	CR722	3B	CR767	2E	Q772	6C	R764	7E	R785	8D		

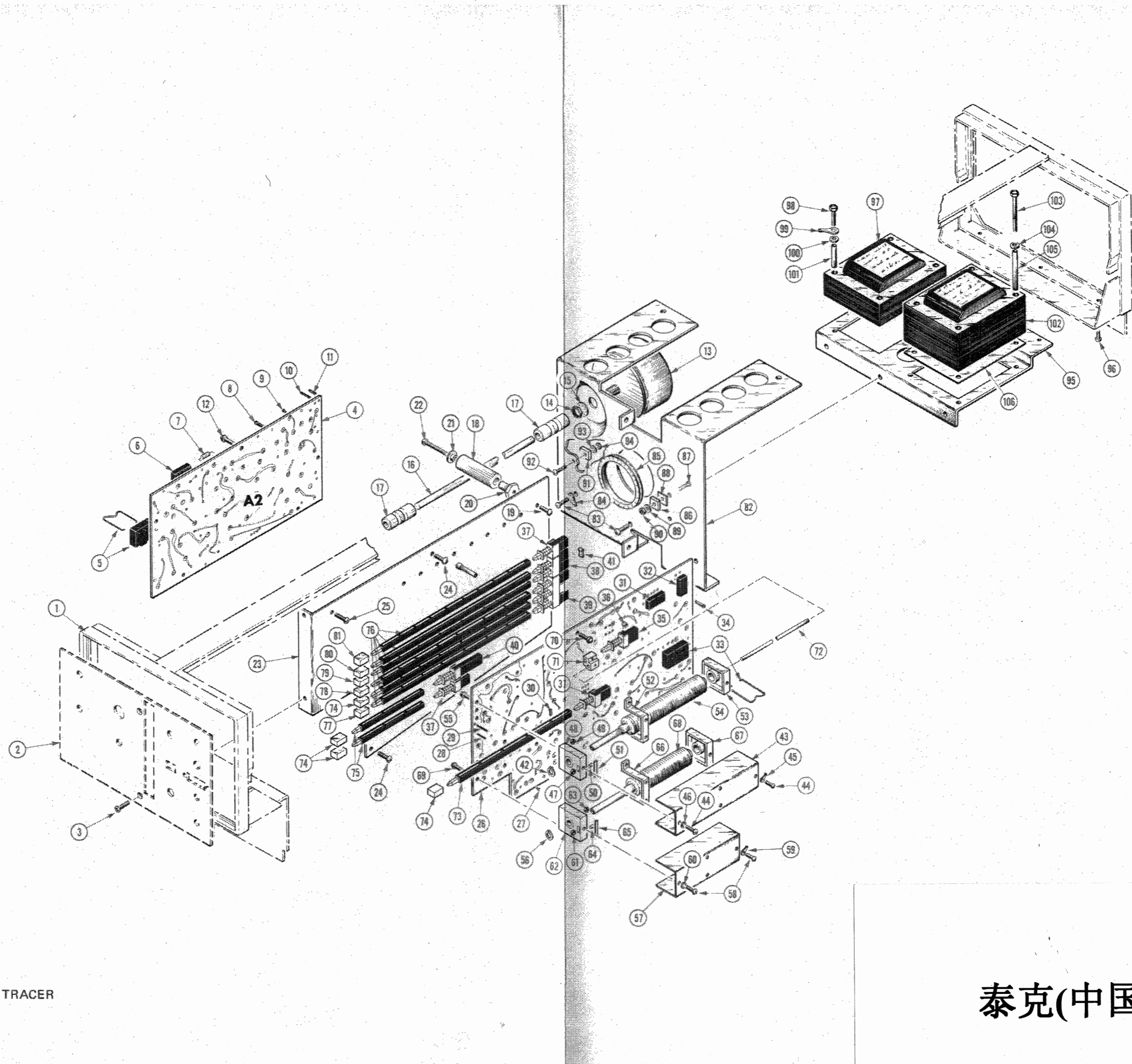




SEE FIG. 3 & FIG. 4







577-D1 or D2 CURVE TRACER

泰克(中国)网站